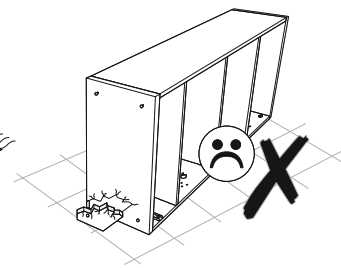
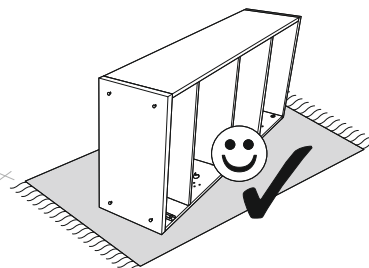
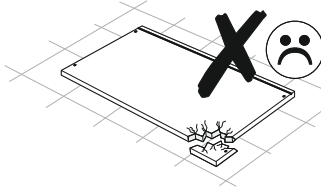
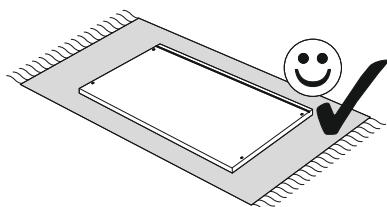
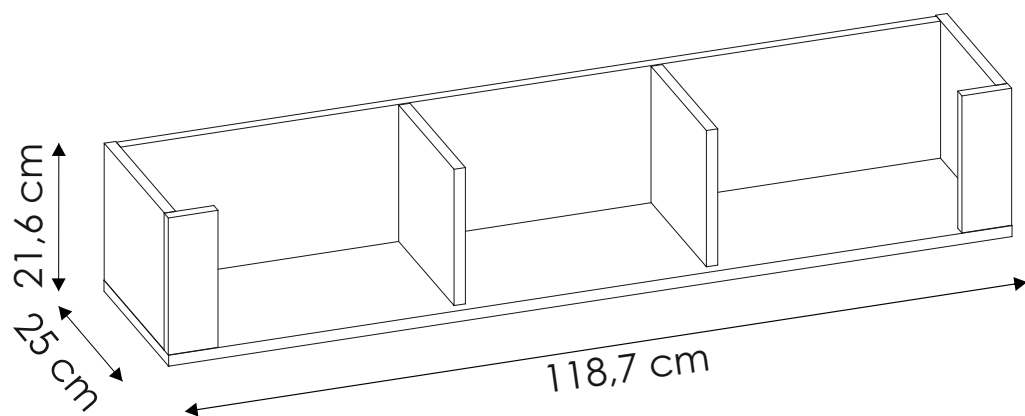
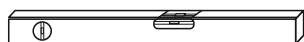
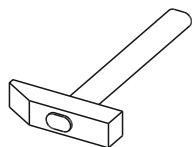
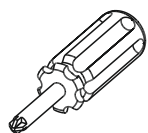
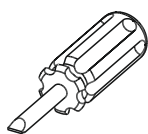
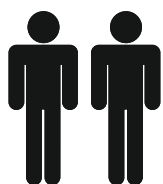
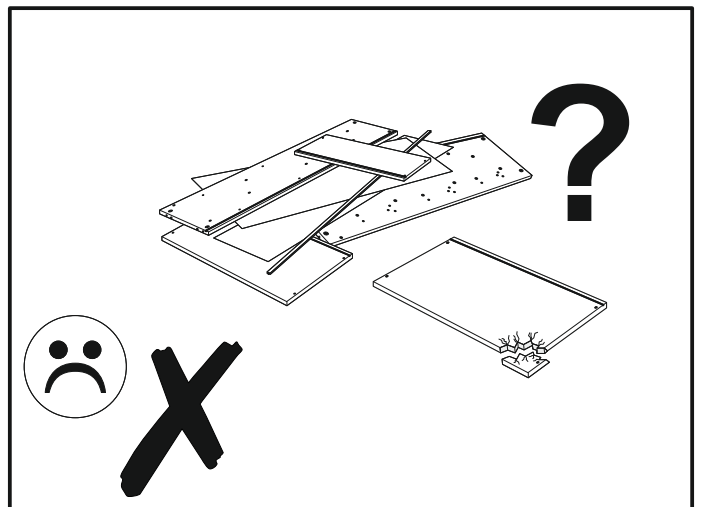
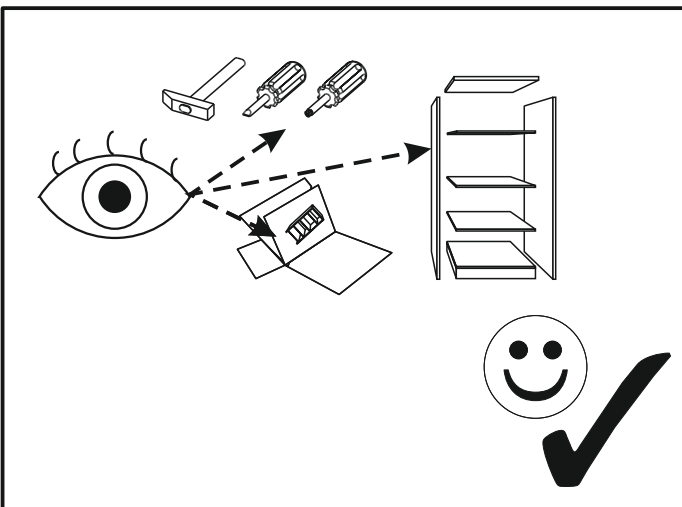
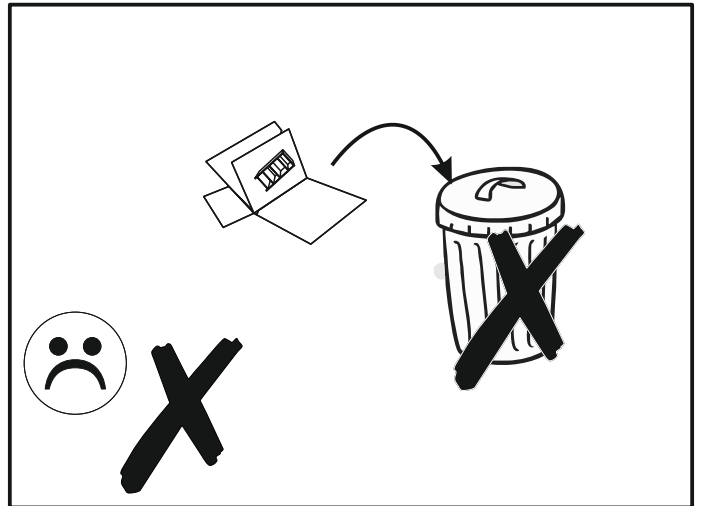
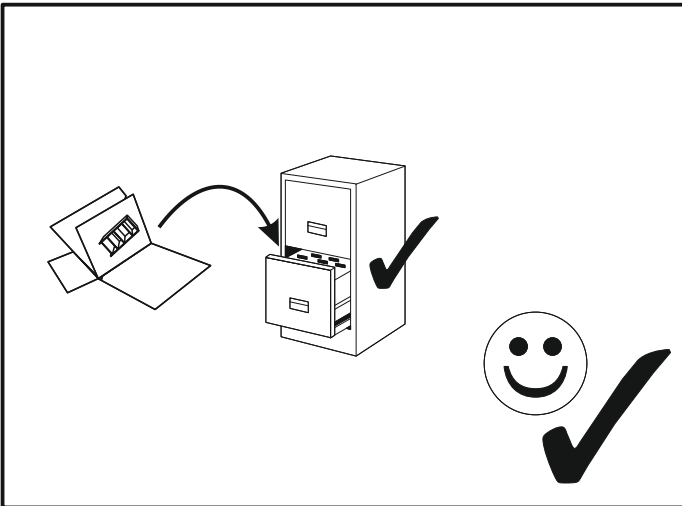
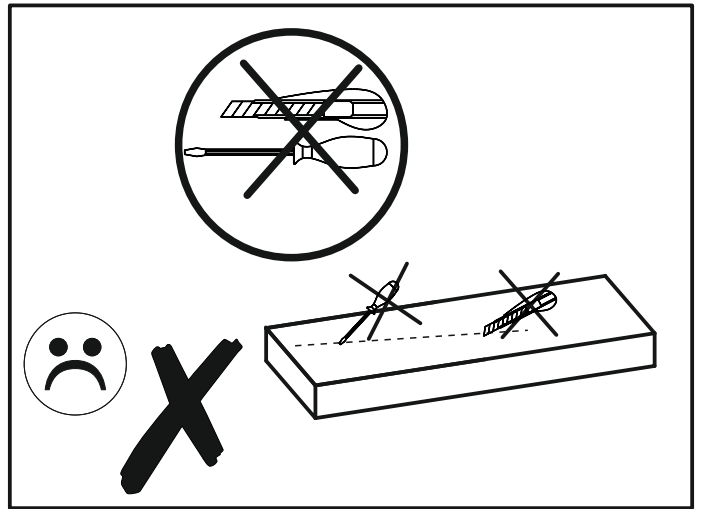
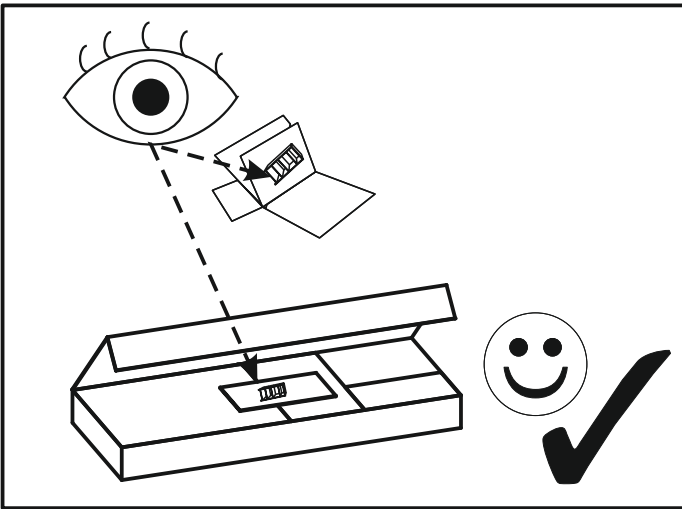
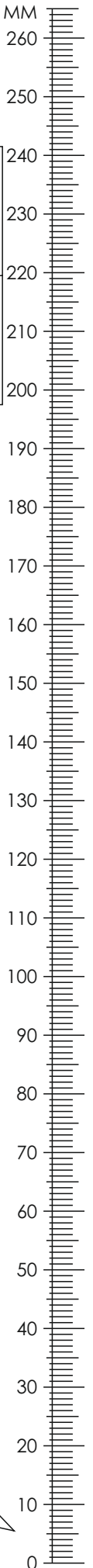




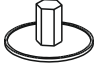


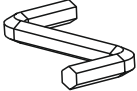


ANGEL TYP-61

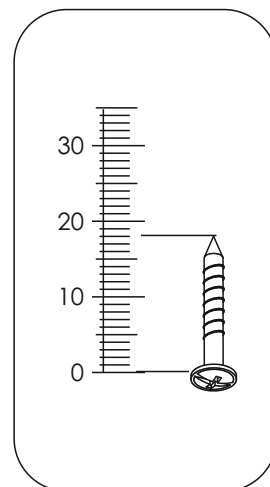




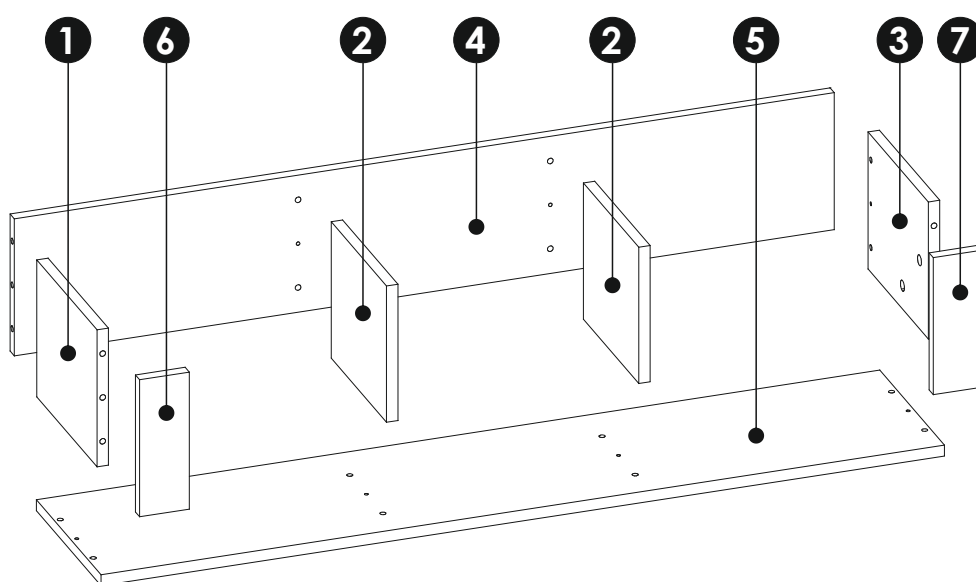
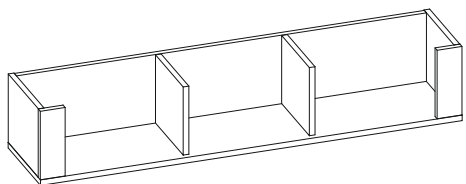
ANGEL TYP-61



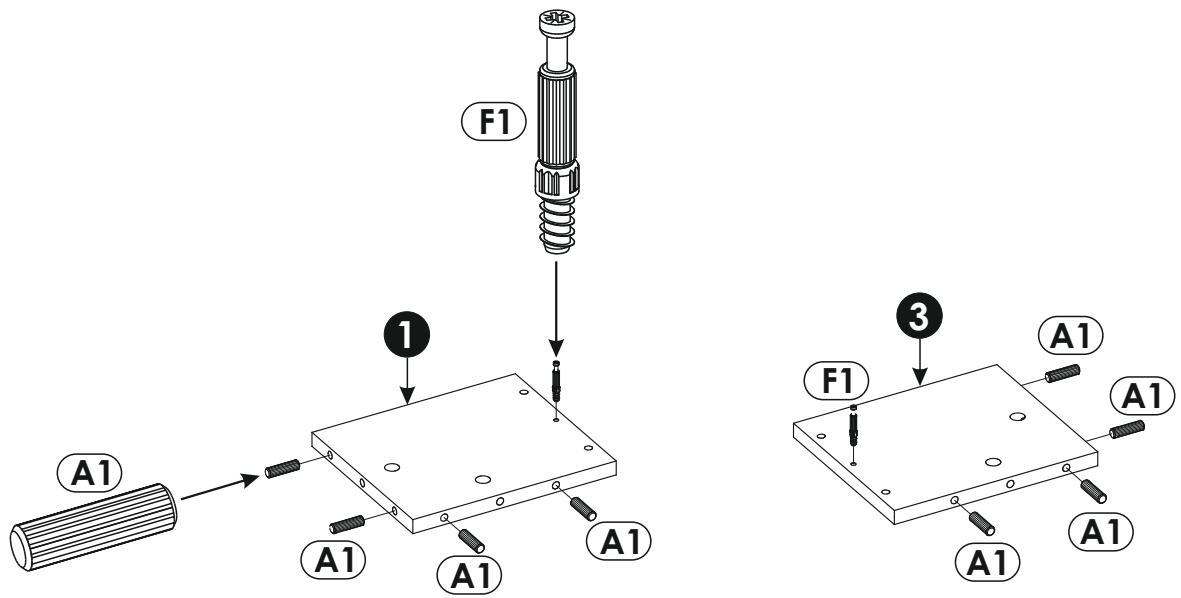
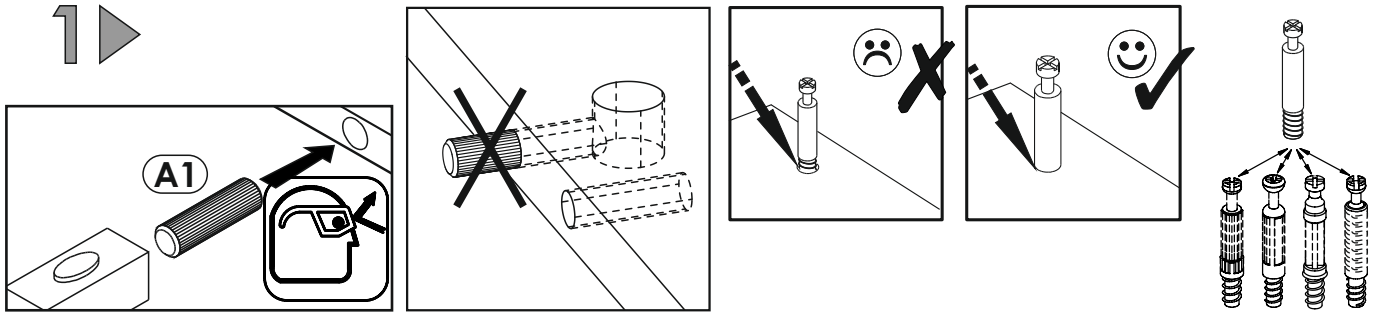
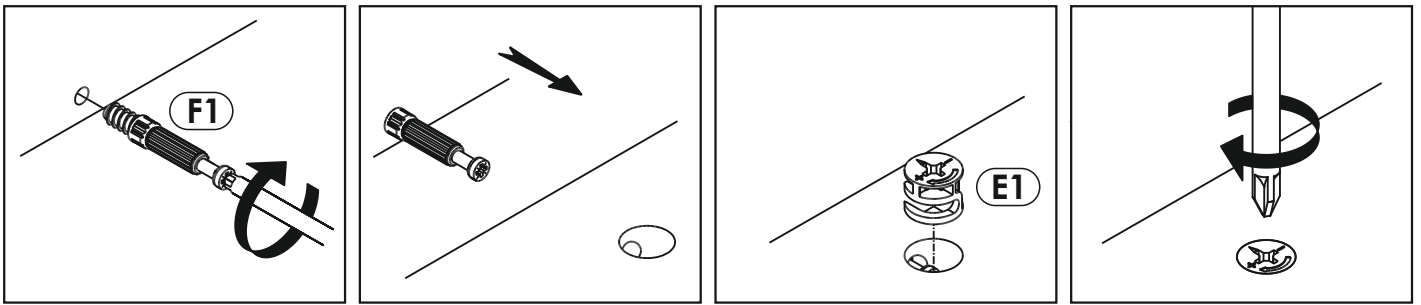
| | | |
|---|---|--|
| <p>A1 x20</p>  | <p>C2 x4 5 x 13 mm</p>  | <p>E0 x10</p>  |
| <p>E1 x10 $\varnothing 15 \times 12$ mm</p>  | <p>F1 x10</p>  | <p>M x1</p>  |
| <p>P1 x2</p>  | <p>R10 x2</p>  | |



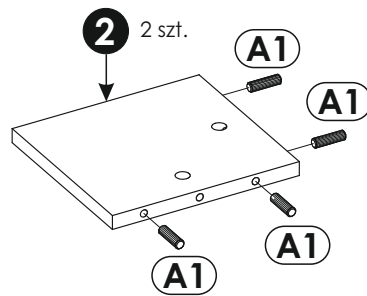
ANGEL TYP-61



| | | | | |
|----------|------|-----|-------|-----|
| 1 | 200 | 233 | 16 x1 | 1/1 |
| 2 | 199 | 214 | 16 x2 | 1/1 |
| 3 | 200 | 233 | 16 x1 | 1/1 |
| 4 | 1154 | 200 | 16 x1 | 1/1 |
| 5 | 1187 | 250 | 16 x1 | 1/1 |
| 6 | 200 | 70 | 16 x1 | 1/1 |
| 7 | 200 | 70 | 16 x1 | 1/1 |



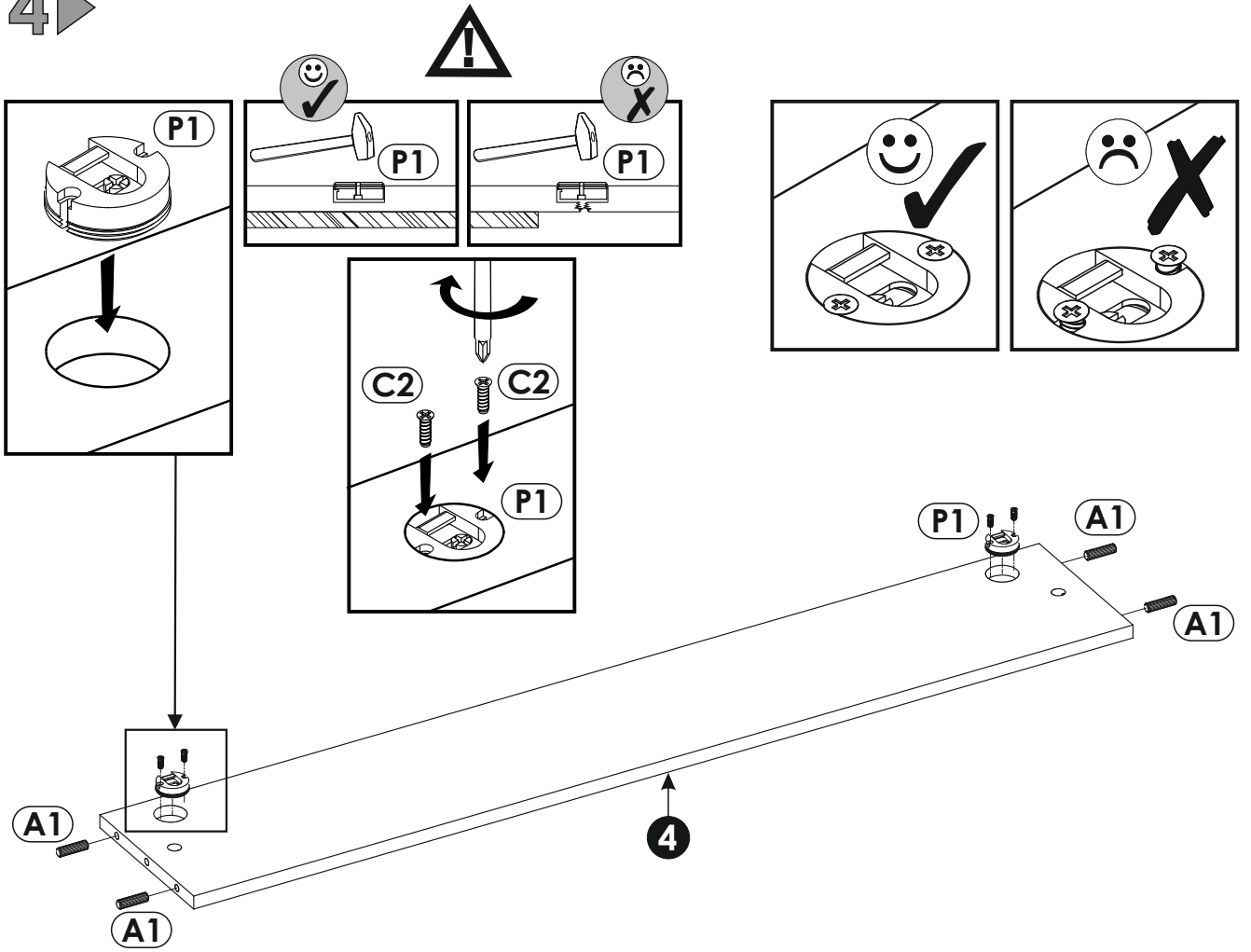
2 ▶



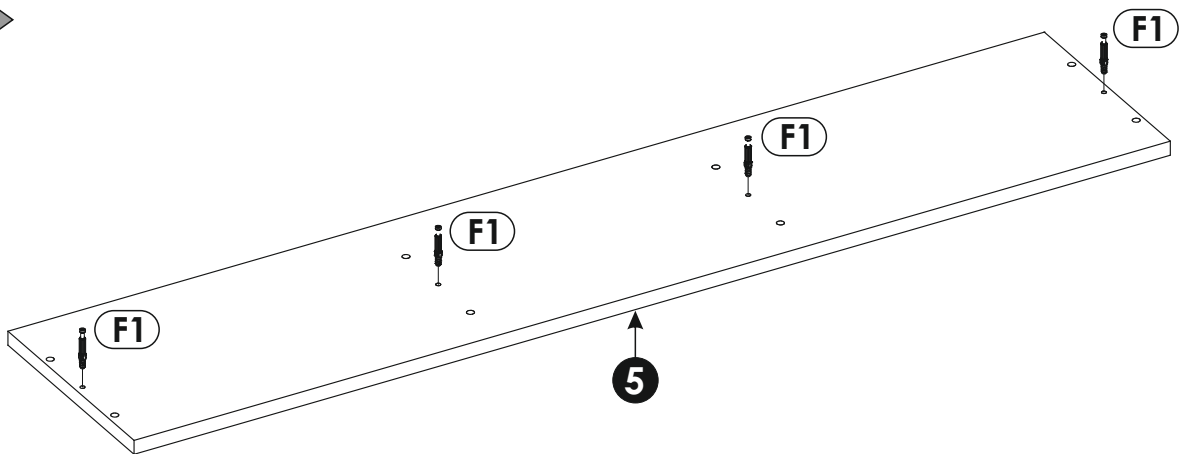
3 ▶



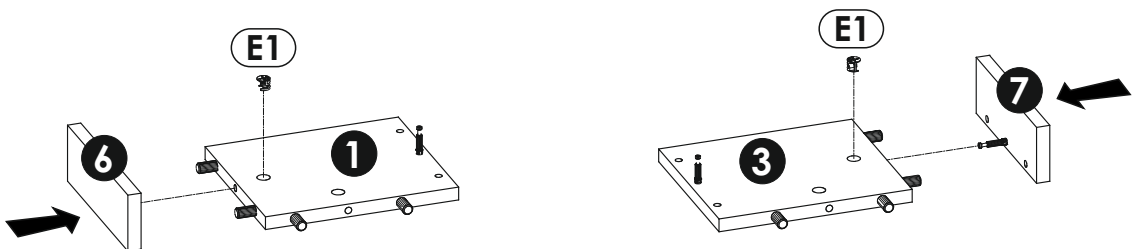
4 ▶



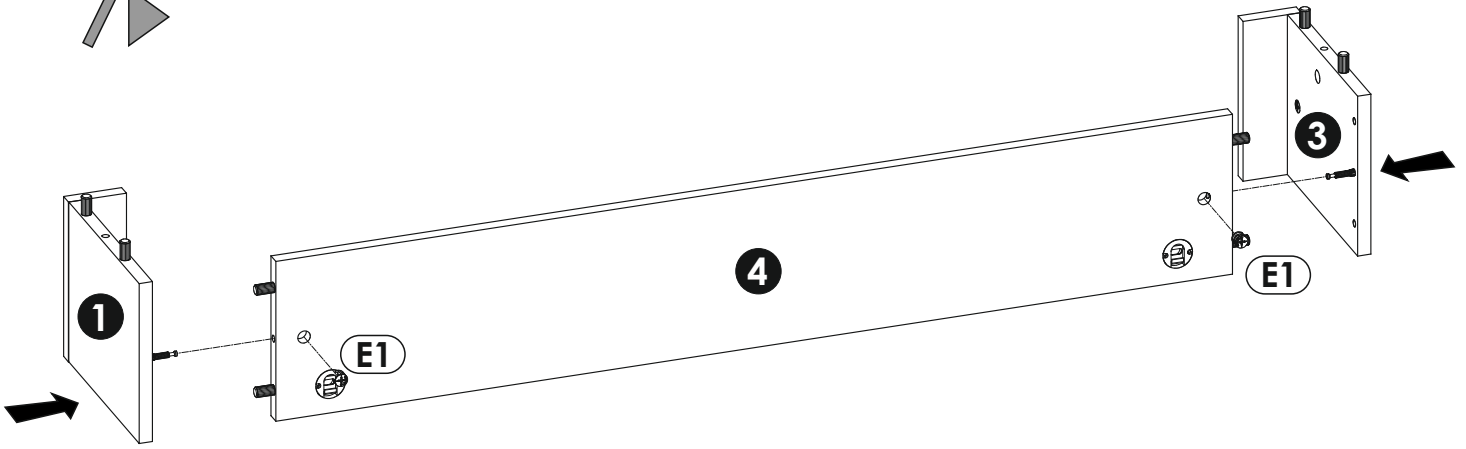
5 ▶



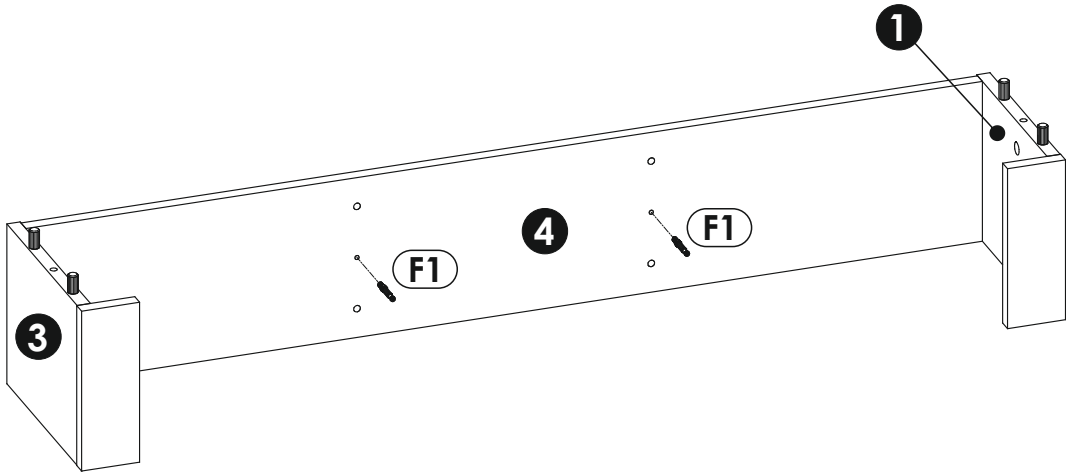
6 ▶



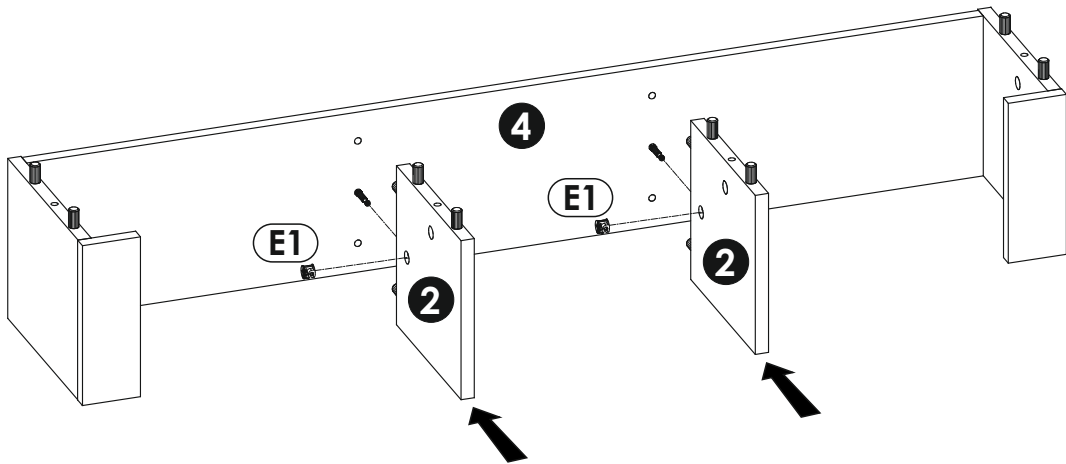
7 ▶



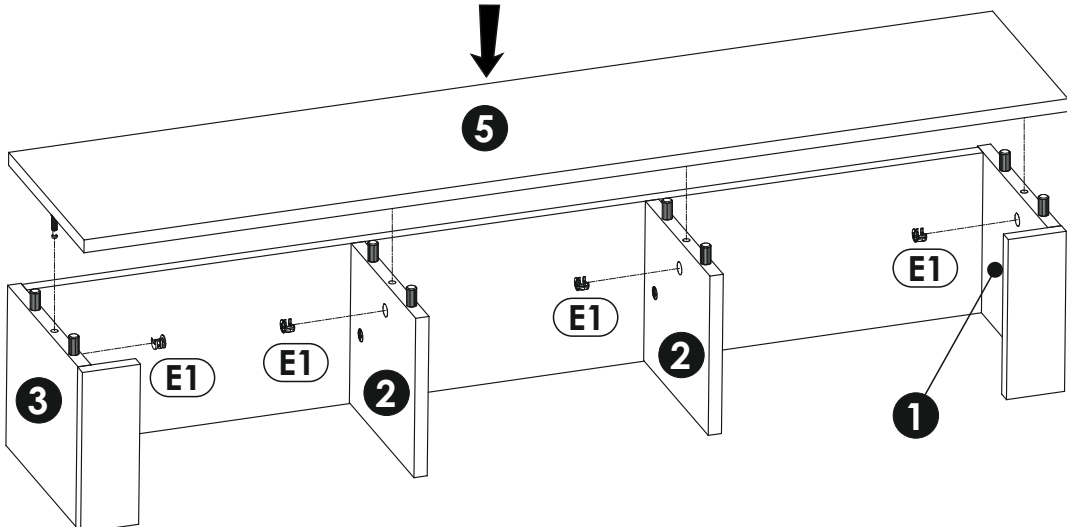
8 ▶



9 ▶



10 ▶



11 ▶

